

- Order
- Inquiry

Fax +49 5402 400-8200

**SOLARLUX®**

**SL 65-HSW**

**Position**  
\_\_\_\_\_ / \_\_\_\_\_

**Required delivery week:** \_\_\_\_\_

**1. Number of units**  
\_\_\_\_\_ pieces

Client: \_\_\_\_\_

Tel: \_\_\_\_\_ Fax: \_\_\_\_\_

Contact person \_\_\_\_\_

Ref: \_\_\_\_\_


Quotation number: \_\_\_\_\_


Delivery address: (if different to client) \_\_\_\_\_

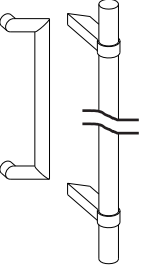
**2. Number of panels (as seen from inside)**  
\_\_\_\_\_ opening to the left  
\_\_\_\_\_ opening to the right

**3. Glass**  
 with: \_\_\_\_\_  
 prepared for: \_\_\_\_\_ mm

**8. Hardware choice: Solarlux Design handle stainless steel**

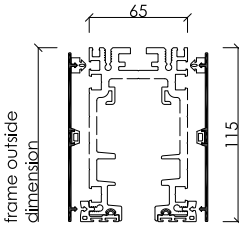
SL flat handle on inside without lock (standard)  


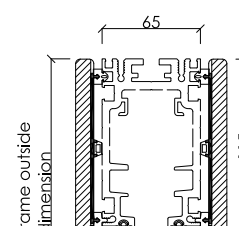
Swing panel  
SL lever handle inside + outside with key cylinder  


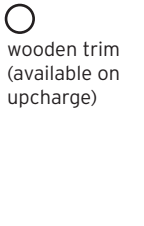
Swing panel  
2 dead bold locks and door closer with SL pull handle TG inside + outside (standard)  
**pull handle options:**  
SL pull handle TG  
 one side only  
SL pull bar  
 450mm (2 fixing points)  
 900mm (2 fixing points)  
 1800mm (3 fixing points)  


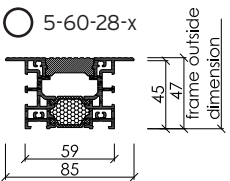
**4. Type of wood**  
 Pine  
 Spruce  
 \_\_\_\_\_  
 **wood from a sustainable forest management system**

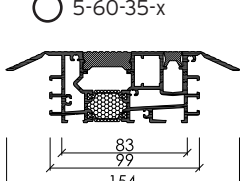
**9. Please choose profile variants**

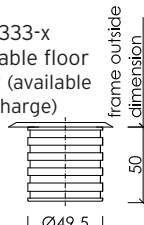
running track profile without cover (standard)  


5-60-21-x cover profile in colour \_\_\_\_\_ RAL (available on upcharge)  


wooden trim (available on upcharge)  


5-60-28-x  
  
no factory provided drainage

5-60-35-x  
  
no factory provided drainage

15-60-333-x adjustable floor socket (available on upcharge)  
  
no factory provided drainage

**5. Wood finish (according to SL colour chart)**  
primed  
\_\_\_\_\_ final finish

**6. Colour of hardware**  
**Floor track:**  
 E6 EV1     E6 C34  
**Hinge:**  
 E6 EV1     E6 C34

**7. Plan view**  
Please provide a detailed plan view with all necessary references to ensure correct sizes for the unit.  
Please indicate the required passdoors, hardware and opening direction of the doors.  
Please indicate the stacking bays.

**8. Drawing**

**Elevation from inside**  
External frame size (with): \_\_\_\_\_ mm

number of panels and opening direction

External frame size (height): \_\_\_\_\_ mm

Outside

**Plan view**  
Inside  
panel shown in open position (stacking position)

10/2011- Subject to technical changes without notice